



element14

EN - For pricing and availability in your local country please visit one of the below links:

DE - Informationen zu Preisen und Verfügbarkeit in Ihrem Land erhalten Sie über die unten aufgeführten Links:

FR - Pour connaître les tarifs et la disponibilité dans votre pays, cliquez sur l'un des liens suivants:

[2MD2T2B2M2RE](#)

EN
This Datasheet is presented by
the manufacturer

DE
Dieses Datenblatt wird vom
Hersteller bereitgestellt

FR
Cette fiche technique est
présentée par le fabricant

Toggle Switches

Sub-Miniature



Specifications:

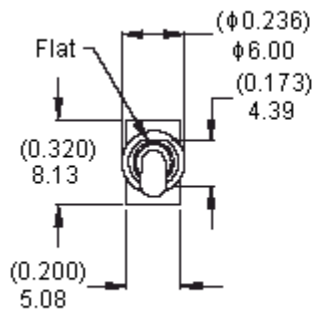
Contact Rating	: 0.4 volt-amps (VA) maximum at 20V maximum (AC or DC).
Mechanical Life	: 30,000 make-and-break cycles.
Contact Resistance	: 20mΩ maximum initial at 2 to 4V dc. 100mA for both silver and gold plated contacts.
Minimum Insulation Resistance	: 1,000MΩ.
Dielectric Strength	: 1,000VRMS at sea level.
Operating Temperature	: -30°C to 85°C.

Materials:

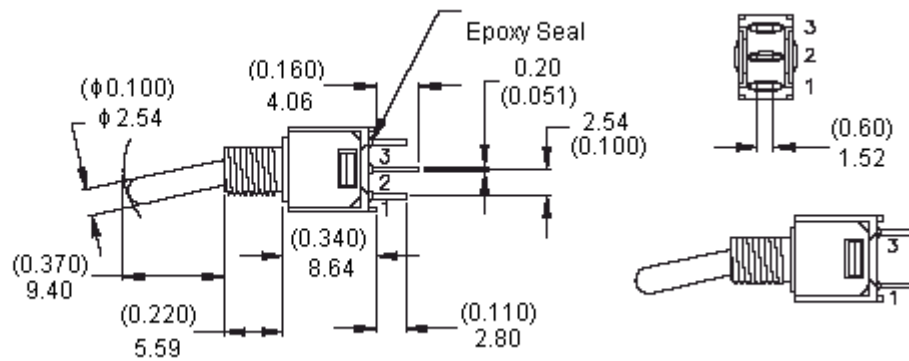
Case and Bushing	: Diallyl phthalate (DAP).
Actuator	: Brass, chrome plated.
Bushing	: Brass, nickel plated.
Housing	: Stainless steel.
Switch Support	: Brass, tin plated.
Terminals/Contact	: Brass, with gold plated.

Pole Option

M2RE



SPDT



Dimensions : Millimetres (Inches)



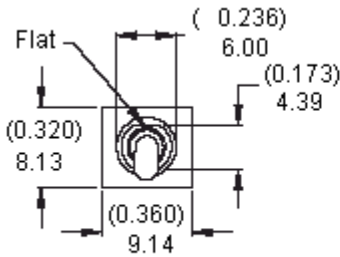
Toggle Switches

Sub-Miniature

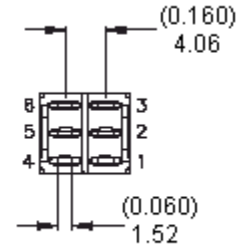
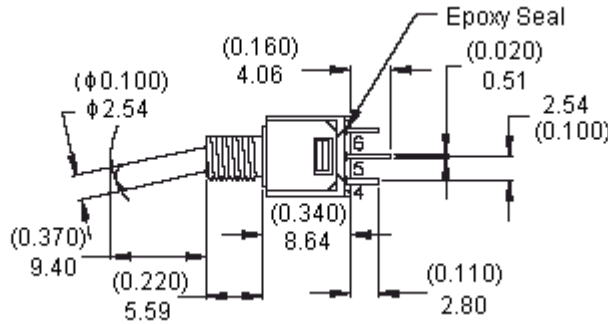


Pole Option

M2RE

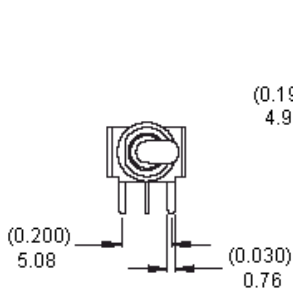


DPDT

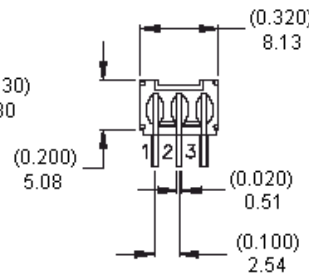
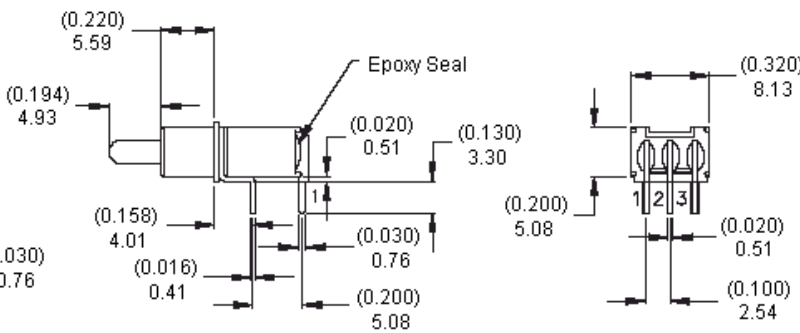


Dimensions : Millimetres (Inches)

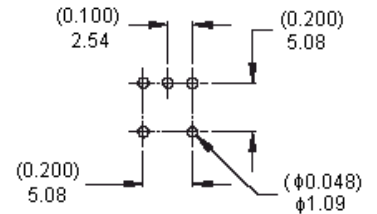
M6RE



SPDT

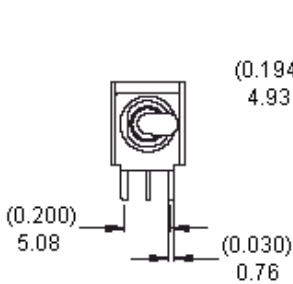


PCB Mounting

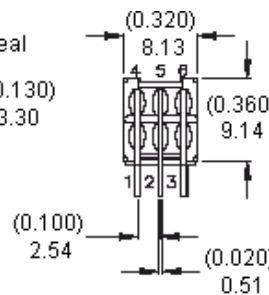
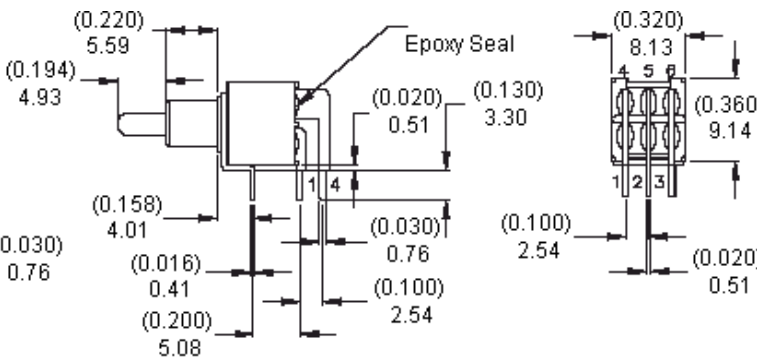


Dimensions : Millimetres (Inches)

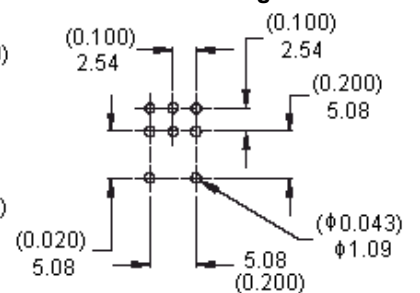
M6RE



DPDT



PCB Mounting



Dimensions : Millimetres (Inches)



Toggle Switches

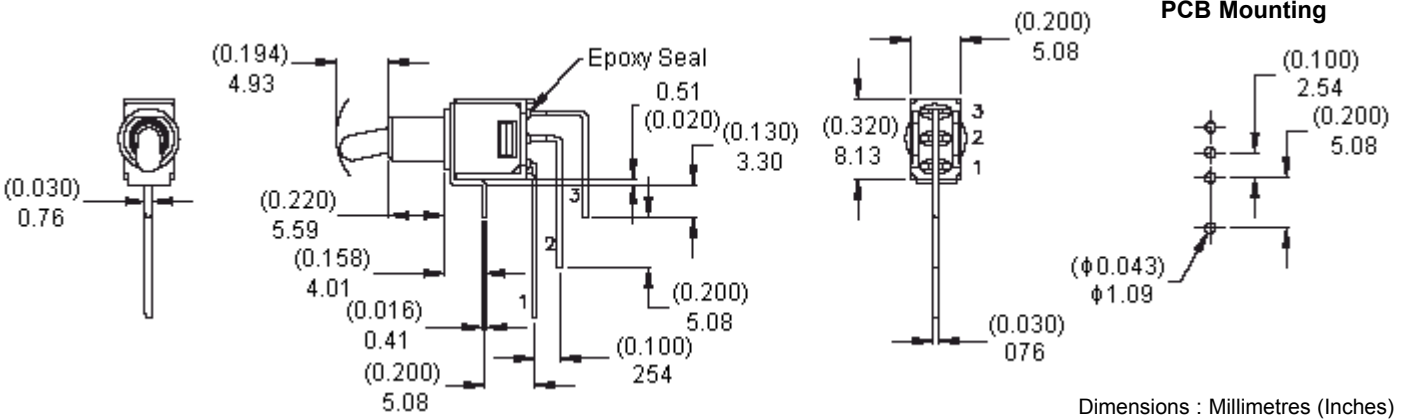
Sub-Miniature



Pole Option

M7RE

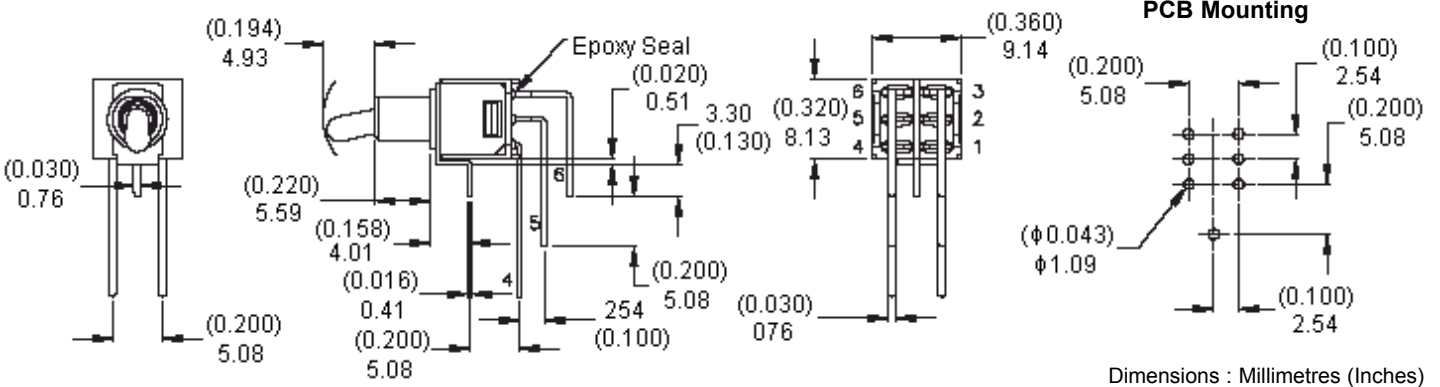
SPDT



Dimensions : Millimetres (Inches)

M7RE

DPDT



Dimensions : Millimetres (Inches)

Soldering Process:

Manual soldering: Use soldering iron of 30 watts, controlled at 350°C approximately 5 seconds while applying solder.

Wave soldering:

Recommended soldering temperature : 260 ±5°C.

Duration of solder immersion: 5 ±1 seconds (PCB is 1.6mm in thickness).

Soldering: Vapour phase.

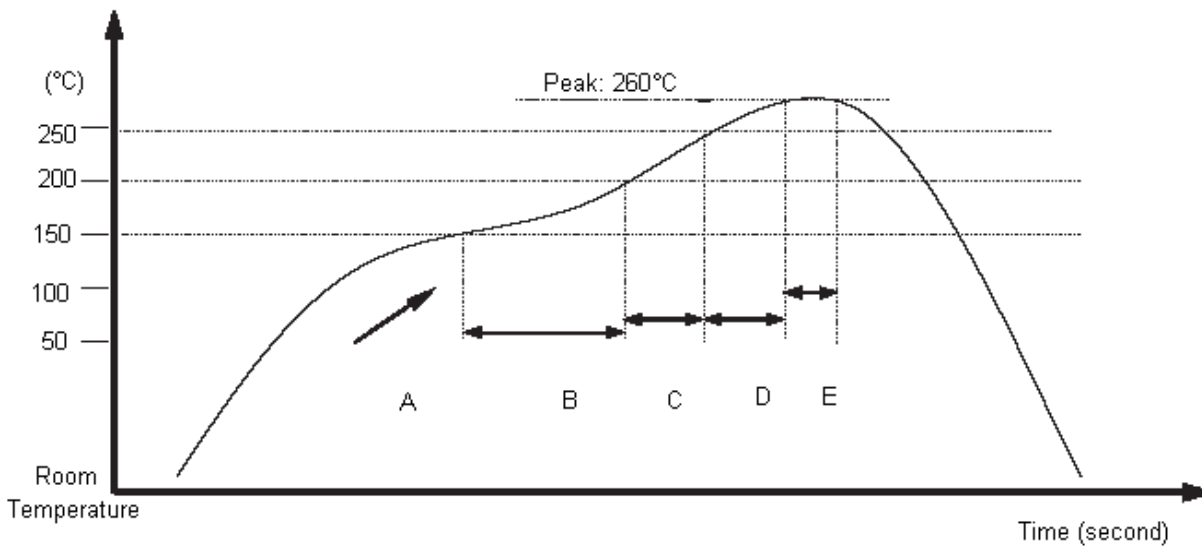


Toggle Switches

Sub-Miniature



Temperature Profile		
Zone	Room Temperature (°C)	Time (seconds)
Pre-heat (A)	150°C	Minimum 120
Soak (B)	180°C to 200°C	Minimum 150
Peak (C)	200°C to 235°C	Minimum 30
Peak (D)	235°C to 260°C	Minimum 40
Peak (E)	260°C	Maximum 10



Specifications

Number of Poles	Switch Function			Connected Terminals/Schematic			Model Number
	Position 1	Position 2	Position 3	Position 1	Position 2	Position 3	
SP	On	None	On	2 - 3	N/A	2 - 1	2MS1
			Mom				2MS2
	Mom	Off	On		Open		2MS3
			Mom				2MS4
			On				2MS5
DP	On	None	On	2 - 3, 5 - 6		2 - 1, 5 - 4	2MD1
			Mom				2MD2
		Off			2MD3		
		On			2 - 3, 5 - 6	2 - 3, 5 - 4	2 - 1, 5 - 4

Mom = Momentary



Toggle Switches

Sub-Miniature



Specification Table

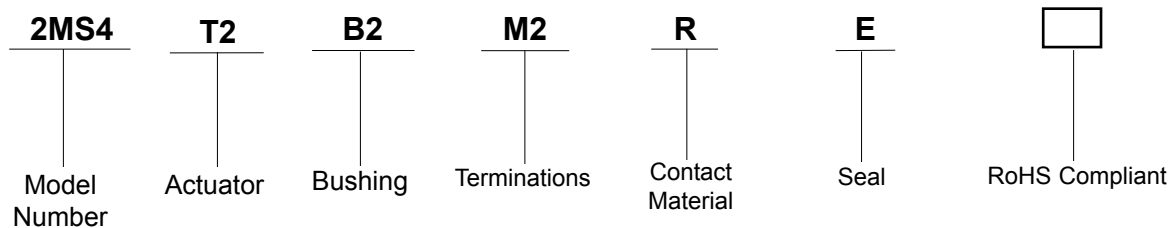
Description	Part Number
Switch, Toggle, SPDT, Vertical, Mom-Off-Mom	2MS4T2B2M2RE
Switch, Toggle, SPDT, Vertical, On-Off-Mom	2MS5T2B2M2RE
Switch, Toggle, DPDT, Vertical, On-Mom	2MD2T2B2M2RE
Switch, Toggle, DPDT, Vertical, On-On-On	2MD6T2B2M2RE
Switch, Toggle, SPDT, Horizontal R/A, On-Mom	2MS2T2B2M6RE
Switch, Toggle, SPDT, Horizontal R/A, Mom-Off-Mom	2MS4T2B2M6RE
Switch, Toggle, SPDT, Horizontal R/A, On-Off-Mom	2MS5T2B2M6RE
Switch, Toggle, DPDT, Horizontal R/A, On-Mom	2MD2T2B2M6RE
Switch, Toggle, DPDT, Horizontal R/A, On-Off-On	2MD3T2B2M6RE
Switch, Toggle, DPDT, Horizontal R/A, On-On-On	2MD6T2B2M6RE
Switch, Toggle, SPDT, Vertical R/A, On-Mom	2MS2T2B2M7RE
Switch, Toggle, SPDT, Vertical R/A, On-On	2MS1T2B2M7RE
Switch, Toggle, SPDT, Vertical R/A, Mom-Off-Mom	2MS4T2B2M7RE
Switch, Toggle, SPDT, Vertical R/A, On-Off-On	2MS3T2B2M7RE
Switch, Toggle, SPDT, Vertical R/A, On-Off-Mom	2MS5T2B2M7RE
Switch, Toggle, DPDT, Vertical R/A, On-Mom	2MD2T2B2M7RE
Switch, Toggle, DPDT, Vertical R/A, On-On	2MD1T2B2M7RE
Switch, Toggle, DPDT, Vertical R/A, On-Off-On	2MD3T2B2M7RE
Switch, Toggle, DPDT, Vertical R/A, On-On-On	2MD6T2B2M7RE
Switch, Toggle, SPDT, Vertical Threaded, On-Mom	2MS2T1B5M2RE
Switch, Toggle, SPDT, Vertical Threaded, Mom-Off-Mom	2MS4T1B5M2RE
Switch, Toggle, SPDT, Vertical Threaded, On-Off-Mom	2MS5T1B5M2RE
Switch, Toggle, DPDT, Vertical Threaded, On-Mom	2MD2T1B5M2RE
Switch, Toggle, DPDT, Vertical Threaded, On-On-On	2MD6T1B5M2RE

Toggle Switches

Sub-Miniature



Part Number Explanation:



- Model Number** : 2MS1 = SP On-None-On, 2MS2 = SP On-None-Mom, 2MS3 = SP On-Off-On, 2MS4 = SP Mom-Off-Mom, 2MS5 = SP On-Off-Mom, 2MD1 = DP On-None-On, 2MD2 = DP On-None-Mom, 2MD3 = DP On-Off-On and 2MD6 = DP On-On-On.
- Actuator** : T1 = 9.40 High and T2 = 5.33 High.
- Bushing** : B2 = 5.59 High, Flat (Non-thd) and B5 = 7.87 High, Flat (thd).
- Terminations** : M2 = PVC Through Hole, M6 = Right Angle, PVC Through Hole and M7 = Vertical Right Angle, PVC Through Hole.
- Contact Material** : R = Gold.
- Seal** : E = Epoxy (STD).

Toggle Switches

Sub-Miniature



Notes:

International Sales Offices:

	AUSTRALIA - Farnell Tel No: ++61 1300 361 005 Fax No: ++61 1300 361 225		FINLAND - Farnell Tel No: ++ 358 9 560 7780 Fax No: ++ 358 9 345 5411		ITALY - Farnell Tel No: ++ 39 02 93 995 200 Fax No: ++ 39 02 93 995 300		SPAIN - Farnell Tel No: 901 20 20 80 Fax No: 901 20 20 90
	AUSTRIA - Farnell Tel No: ++ 43 662 2180 680 Fax No: ++ 43 662 2180 670		FRANCE - Farnell Tel No: ++ 33 474 68 99 99 Fax No: ++ 33 474 68 99 90		MALAYSIA - Farnell-Newark Tel No: ++ 60 3 7873 8000 Fax No: ++ 60 3 7873 7000		SWEDEN - Farnell Tel No: ++ 46 8 730 50 00 Fax No: ++ 46 8 83 52 62
	BELGIUM - Farnell Tel No: ++ 32 3 475 2810 Fax No: ++ 32 3 227 3648		GERMANY - Farnell Tel No: ++ 49 89 61 39 39 39 Fax No: ++ 49 89 613 59 01		NETHERLANDS - Farnell Tel No: ++ 31 30 241 7373 Fax No: ++ 31 30 241 7333		SWITZERLAND - Farnell Tel No: ++ 44 204 64 64 Fax No: ++ 44 204 64 54
	BRAZIL - Farnell-Newark Tel No: ++ 55 11 4066 9400 Fax No: ++ 55 11 4066 9410		HONG KONG - Farnell-Newark Tel No: ++ 852 2268 9888 Fax No: ++ 852 2268 9899		NEW ZEALAND - Farnell Tel No: 0800 90 80 80 Fax No: 0800 90 80 81		UK - Farnell Tel No: ++ 44 8701 200 200 Fax No: ++ 44 8701 200 201
	CHINA - Farnell-Newark Tel No: ++86 10 6238 5152 Fax No: ++86 10 6238 5022		HUNGARY - Farnell Tel No: ++ 44 870 1200 208 Fax No: ++ 44 870 1200 209		NORWAY - Farnell Tel No: 800 146 70 Fax No: 800 146 76		UK - CPC ++ 44 8701 202 530 ++ 44 8701 202 531
	CZECH REPUBLIC - Farnell Tel No: ++ 44 870 1200 208 Fax No: ++ 44 870 1200 209		INDIA - Farnell Tel No: ++ 44 870 1200 208 Fax No: ++ 44 870 1200 209		PORTUGAL - Farnell Tel No: ++ 34 93 475 8804 Fax No: ++ 34 93 474 5288		USA - Newark Tel No: 800 463 9275
	DENMARK - Farnell Tel No: ++ 45 44 53 66 44 Fax No: ++ 45 44 53 66 06		IRELAND - Farnell Tel No: ++ 353 1 830 9277 Fax No: ++ 353 1 830 9016		RUSSIA - Farnell Tel No: ++ 44 870 1200 208 Fax No: ++ 44 870 1200 209	 EXPORT - Farnell Tel No: ++ 44 8701 200 208 Fax No: ++ 44 8701 200 209 For enquiries from all other markets	
	ESTONIA - Farnell Tel No: ++ 358 9 560 7780 Fax No: ++ 358 9 345 5411		ISRAEL - Farnell Tel No: ++ 180 937 0015 Fax No: ++ 180 937 0014		SINGAPORE - Farnell-Newark Tel No: ++ 65 6788 0200 Fax No: ++ 65 6788 0300		

<http://www.farnell.com>
<http://www.newark.com>
<http://www.cpc.co.uk>

Disclaimer This data sheet and its contents (the "Information") belong to the Premier Farnell Group (the "Group") or are licensed to it. No licence is granted for the use of it other than for information purposes in connection with the products to which it relates. No licence of any intellectual property rights is granted. The Information is subject to change without notice and replaces all data sheets previously supplied. The Information supplied is believed to be accurate but the Group assumes no responsibility for its accuracy or completeness, any error in or omission from it or for any use made of it. Users of this data sheet should check for themselves the Information and the suitability of the products for their purpose and not make any assumptions based on information included or omitted. Liability for loss or damage resulting from any reliance on the Information or use of it (including liability resulting from negligence or where the Group was aware of the possibility of such loss or damage arising) is excluded. This will not operate to limit or restrict the Group's liability for death or personal injury resulting from its negligence. SPC Multicomp is the registered trademark of the Group. © Premier Farnell plc 2008.



element14

EN - For pricing and availability in your local country please visit one of the below links:

DE - Informationen zu Preisen und Verfügbarkeit in Ihrem Land erhalten Sie über die unten aufgeführten Links:

FR - Pour connaître les tarifs et la disponibilité dans votre pays, cliquez sur l'un des liens suivants:

[2MD2T2B2M2RE](#)

EN
This Datasheet is presented by
the manufacturer

DE
Dieses Datenblatt wird vom
Hersteller bereitgestellt

FR
Cette fiche technique est
présentée par le fabricant